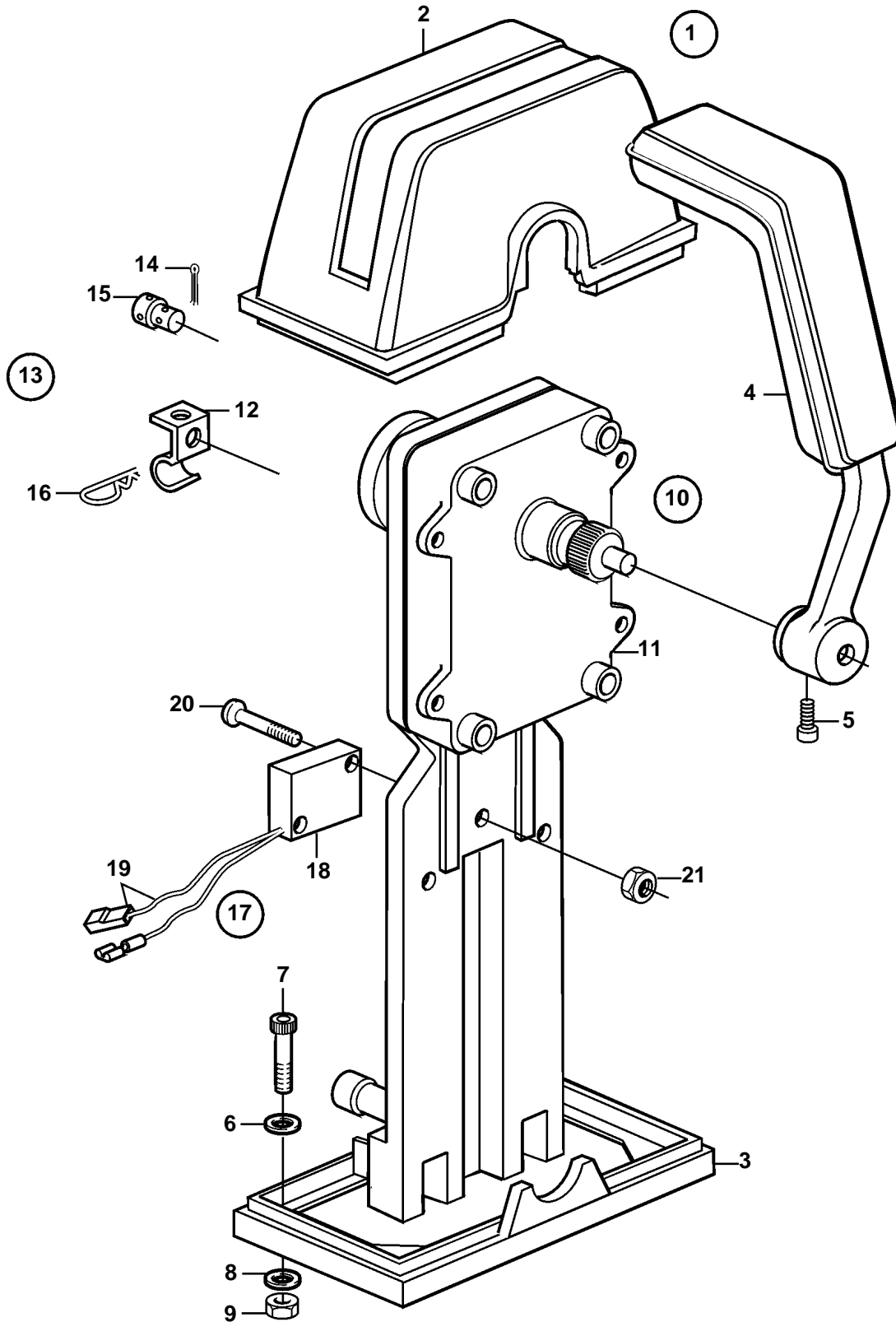


D2-55A, D2-55B, D2-55C



D2-55A, D2-55B, D2-55C

REF	PART NO.	QTY	DESCRIPTION	SEE SEC.	NOTES
1	851602	1	Mounting kit		
2	850823	1	• Cover		(839472)
3	839474	1	• Plate		
4	839475	1	• Lever		
5	839693	1	• Lock screw		
6	940090	2	• Washer		
7	947671	4	• Allen head screw		
8	960138	4	• Washer		
9	955780	4	• Nut		
10	851600	1	Control		
11		1	• Control mechanism		
12	853423	1	• Retainer		
13		1	• Connector kit		
14	17253	2	• • Cotter pin		
15	839638	2	• • Cube		
16	852924	1	• • Clip		
17	855352	1	Neutral posit contac		
18	850200	1	• Switch		
19		X	• • Cables and terminals	1963	
20	946177	2	• Screw		
21	947536	2	• Nut		